

**Pricelist ■ Accessories ■
Installation single-leaf and double-leaf doors**



EPN 500 ■ Modular ■ Up / Down locking ■ 1-Point locking


EPN 500 ■ Modular Version	Euro	Article number
Black / red	85,40	106150010200275

- Tube has to be ordered separately!



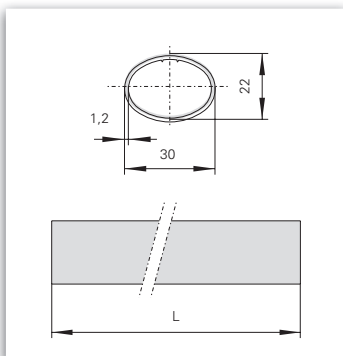
EPN 500 ■ Up / Down locking	Euro	Article number
Black / red	77,30	106150020200275

- Tube has to be ordered separately!

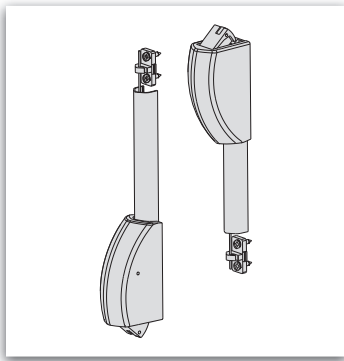


EPN 500 ■ 1-Point locking	Euro	Article number
Black / red	72,70	106150000200275

- Tube has to be ordered separately!



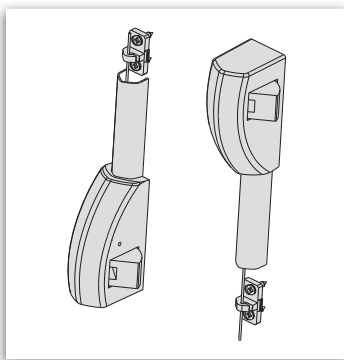
Tube 1.200 mm	Euro	Article number
Red RAL 3000	8,50	106150030100275



EPN 500 Modular ■ EPN 500 Up / Down locking	Euro	Article number
Up / down locking points - Black	83,70	106150040200275
Up / down locking points - PVD ER	215,70	106150044600275

Supplied as standard:

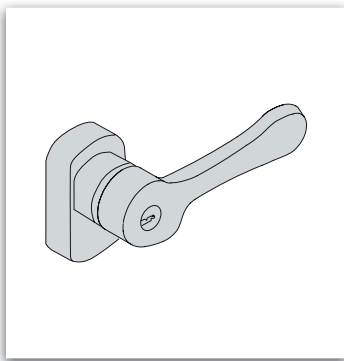
- Top strikers
- Floor striker
- 2 flexible cables
- 2 cable covers
- 2 connecting plates
- 2 cable feedthrough hooks
- 2.500 mm max. (standard)



EPN 500 Modular ■ EPN 500 Up / Down locking	Euro	Article number
Up / down lateral locking points - Black	84,50	106150050200275
Up / down lateral locking points - PVD ER	184,60	106150054600275

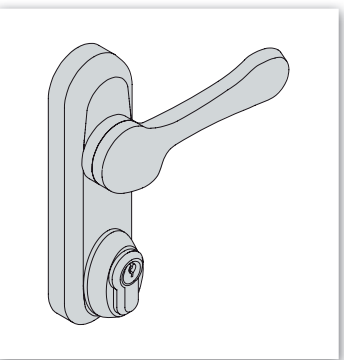
Supplied as standard:

- Strikers
- 2 flexible cables
- 2 cable covers
- 2 connecting plates
- 2 cable feedthrough hooks



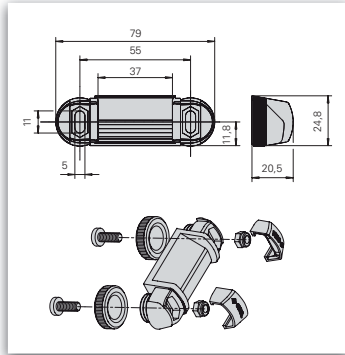
EPN 500 Modular ■ EPN 500 1-Point locking ■ EPN 500 Up / Down locking	Euro	Article number
External handle 1 „Rose“ - Black	37,80	106150060200275
External handle 1 „Rose“ - PVD ER	148,00	106150064600275

- Handle key locking
- Cylinder
- Mounting strengthening nylon spacer
- Up to 70 mm max.



EPN 500 Modular ■ EPN 500 1-Point locking ■ EPN 500 Up / Down locking	Euro	Article number
External handle 2 short plate - Black	63,80	106150070200275
External handle 2 short plate - PVD ER	170,00	106150074600275

- Handle key disabling
- DIN cylinder



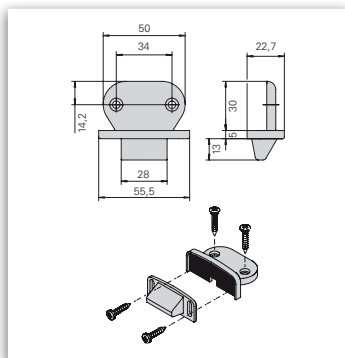
EPN 500 Modular ■ EPN 500 1-Point locking ■ EPN 500 Up / Down locking	Euro	Article number
Adjustable striker for alu profile - Black	2,80	106150080200275

Adjustments:

- Flush compensation between -8 mm and +4 mm

Standard equipment:

- Fixing screws



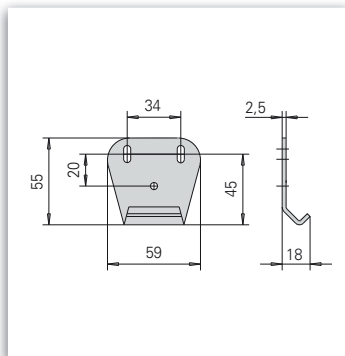
EPN 500 Modular ■ EPN 500 1-Point locking ■ EPN 500 Up / Down locking	Euro	Article number
Adjustable striker for PVC profile - Black	24,10	106150090200275
Adjustable striker for PVC profile - PVD ER	30,90	106150094600275

Adjustments:

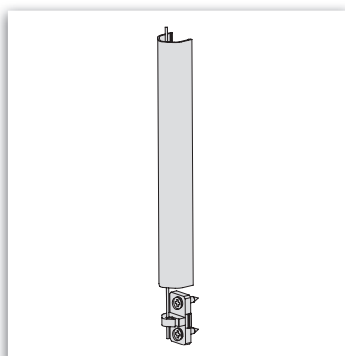
- Leaf to frame clearance compensation up to 25 mm
- Flush compensation between - 4 mm and + 7 mm

Standard equipment:

- Fixing screws



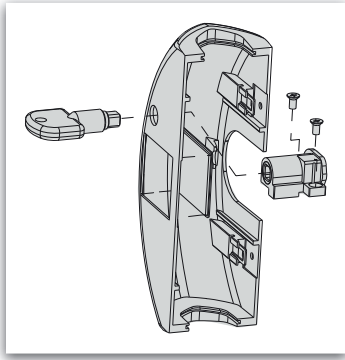
EPN 500 Modular ■ EPN 500 1-Point locking ■ EPN 500 Up / Down locking	Euro	Article number
Special striker - Black	6,20	106150100200275
Special striker - PVD ER	14,80	106150104600275



EPN 500 Modular ■ EPN 500 1-Point locking ■ EPN 500 Up / Down locking	Euro	Article number
Kit for doors up to 3 m height - Black	28,10	106150110200275
Kit for doors up to 3 m height - PVD ER	32,50	106150114600275

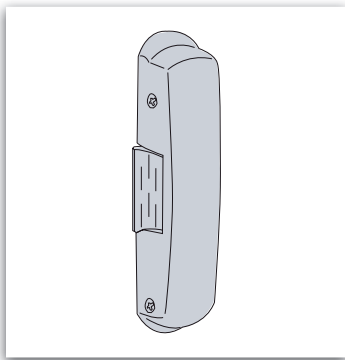
Supplied as standard:

- Flex cable
- Cable cover
- Cable feedthrough hook



EPN 500 Modular ■ EPN 500 1-Point locking ■ EPN 500 Up / Down locking	Euro	Article number
Hold open kit - Black	30,50	106150120200275
Hold open kit - PVD ER	61,30	106150124600275

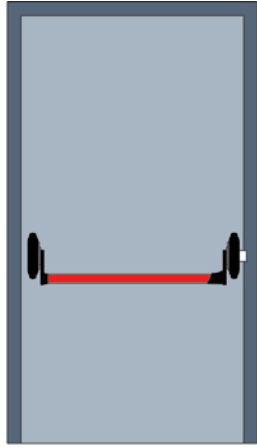
- Fixing screws



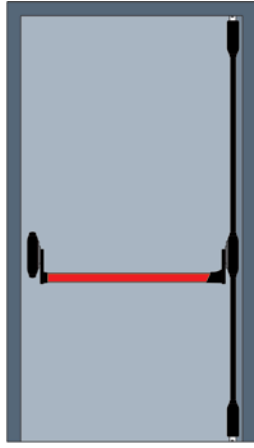
EPN 500 Modular ■ EPN 500 1-Point locking ■ EPN 500 Up / Down locking	Euro	Article number
Electric striker - Black	120,50	106150130200275
Electric striker - PVD ER	145,20	106150134600275

- With electrically live coils

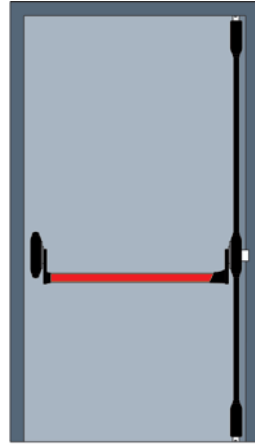
(1) - DIN right



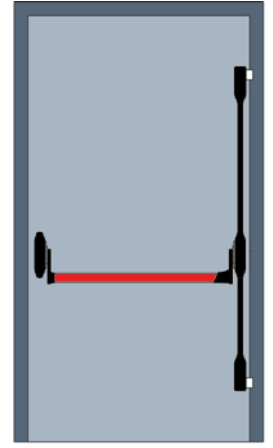
(2) - DIN right



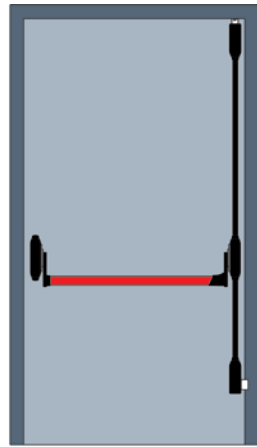
(3) - DIN right



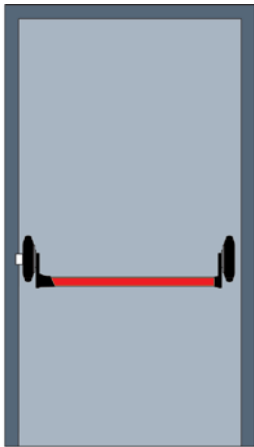
(4) - DIN right



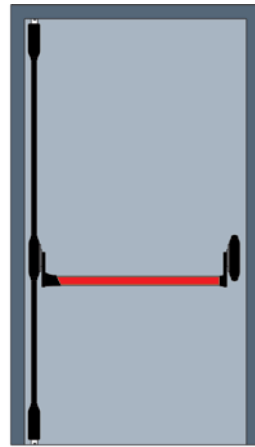
(5) - DIN right



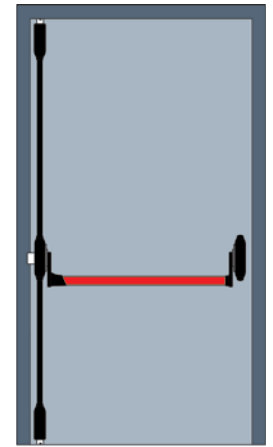
(6) - DIN left



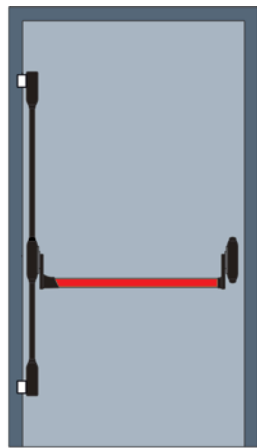
(7) - DIN left



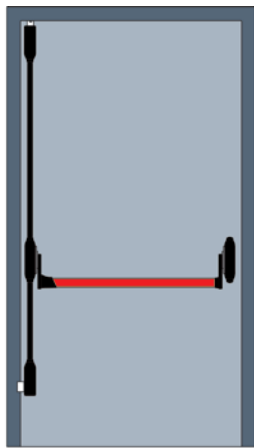
(8) - DIN left



(9) - DIN left

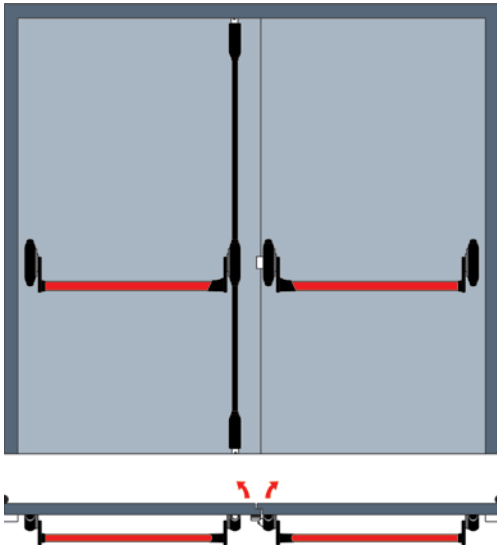


(10) - DIN left

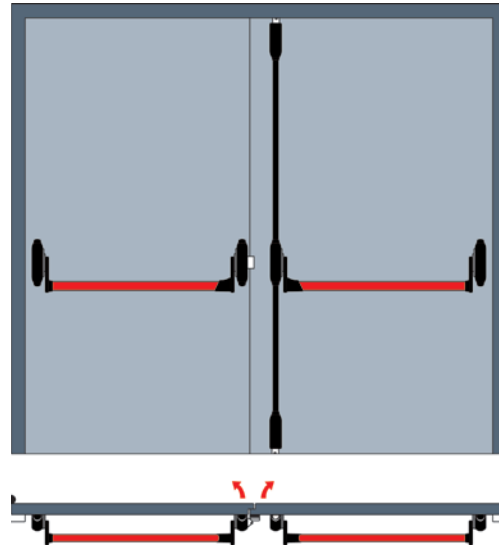


EPN 500 ▪ Installation of panic exit devices for double-leaf doors

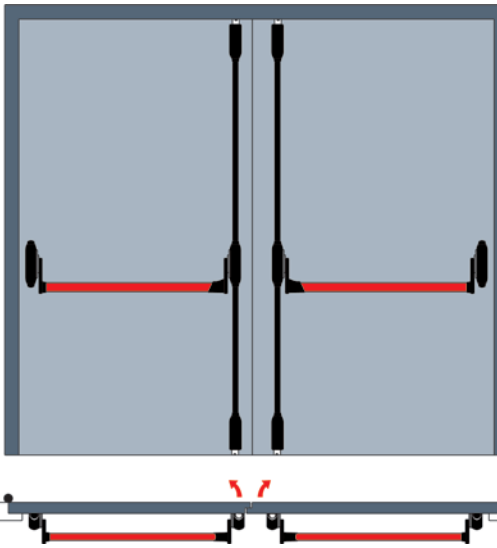
(11) - DIN right DIN left



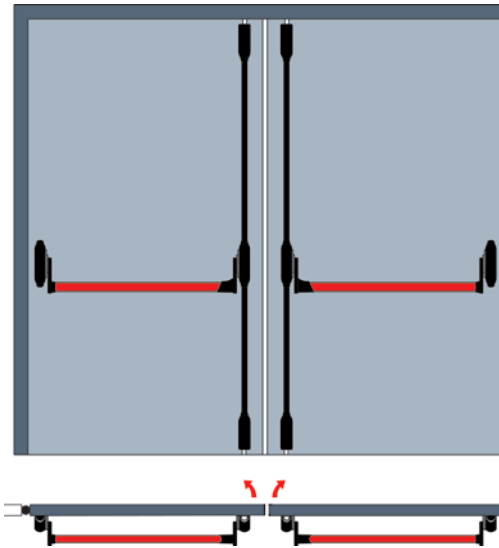
(12) - DIN right DIN left



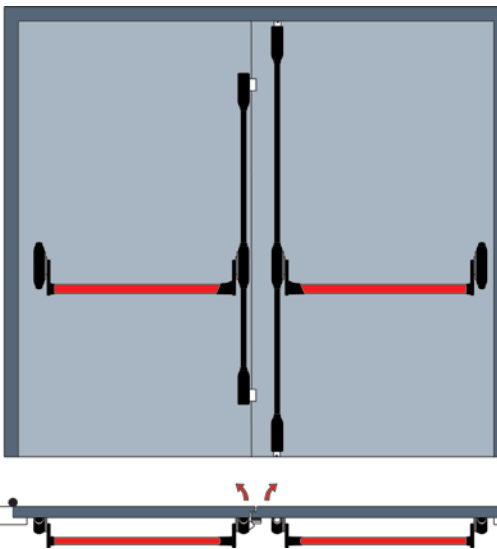
(13) - DIN right DIN left



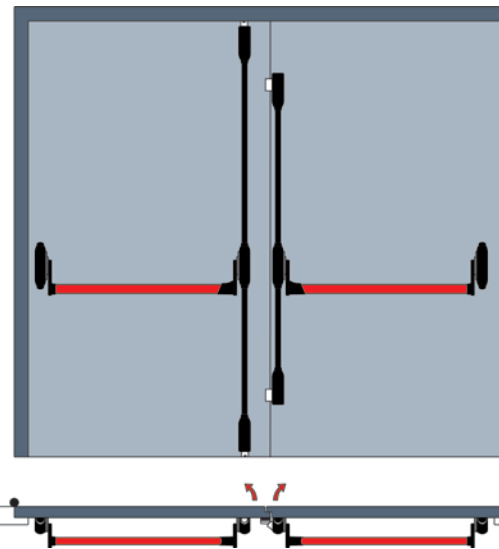
(14) - DIN right DIN left



(15) - DIN right DIN left



(16) - DIN right DIN left



ECO Schulte GmbH & Co. KG
Iserlohner Landstraße 89
D-58706 Menden

Phone: +49 2373/92 76-0
Fax: +49 2373/92 76-40

info@eco-schulte.de
www.eco-schulte.de