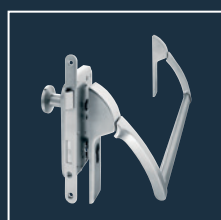
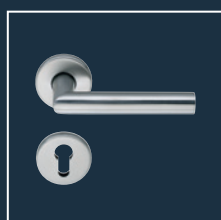
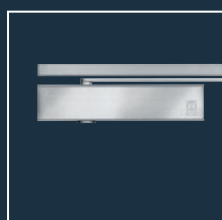


Handle sets for bathroom doors and sanitary partitions (Stainless steel)

Product information



■ SYSTEM TECHNOLOGY FOR THE DOOR



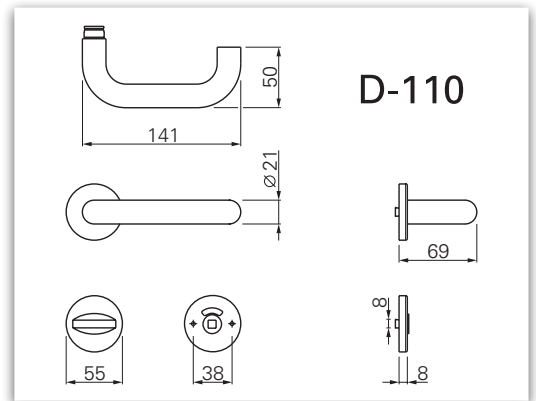


Description		
User category Class 3	EN 1906	■
Maintenance free lever guidance		■
Lever diameter	21 mm	■
Nylon base with positioning studs		■
Lever with fixable bearing		■
Spreaded spindle	7 mm	-
	8 mm	■
	8,5 mm	-
Concealed, continuous screw connection		■

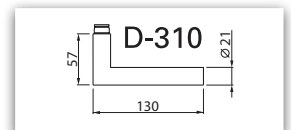
■ Yes - No □ On Request


Description

- Available for all common partition wall thicknesses
- Complete with WC lock and Red / White indicator
- Emergency opening via 8 mm external spindle
- External release slot on request
- Also available BB, PZ and lever/knob version
- Appropriate drill template available, (Art.-No. 930317)
- Fixable bearing with restoring spring
- Surface: Stainless steel, satin finish




Dimensioning



D-110	Article number	Form	∅		Material
D 110.ER.12.WC	152520.46	U-Form	8 mm		Stainless steel

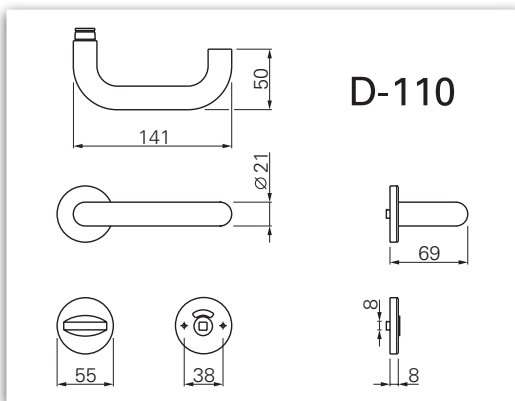
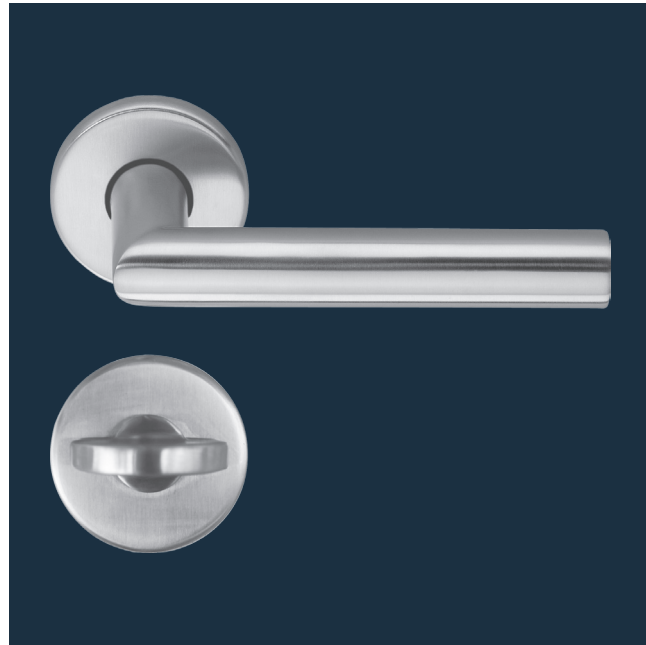


D-310	Article number	Form	∅		Material
D 310.ER.12.WC	152720.46	CL-Form	8 mm		Stainless steel

Handle sets for bathroom doors and sanitary partitions ■ Stainless steel

Description		
User category Class 4	EN 1906	■
Maintenance free lever guidance		■
Lever diameter	21 mm	■
Nylon base with positioning studs		■
Lever with fixable bearing		■
Spreaded spindle	7 mm	-
	8 mm	■
	8,5 mm	-
Concealed, continuous screw connection		■

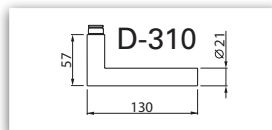
■ Yes - No □ On Request



Description


- Available for all common partition wall thicknesses
- Complete with WC lock and Red / White indicator
- Emergency opening via 8 mm external spindle
- External release slot on request
- Also available BB, PZ and lever/knob version
- Appropriate drill template available, (Art.-No. 930317)
- Fixable bearing
- Surface: Stainless steel, satin finish

Dimensioning



EN 1906




D-110	Article number	Form	∅		Material
D 110.ER.13.WC	156520.46	U-Form	8 mm		Stainless steel



EN 1906



D-310	Article number	Form	∅		Material
D 310.ER.13.WC	156720.46	CL-Form	8 mm		Stainless steel

ECO Schulte GmbH & Co. KG
Iserlohner Landstraße 89
D - 58706 Menden

Telefon: +49 2373/9276-0
Fax: +49 2373/9276-40

info@eco-schulte.de
www.eco-schulte.de

© ECO Schulte GmbH & Co. KG - Änderungen vorbehalten
© ECO Schulte GmbH & Co. KG - Subject to change