

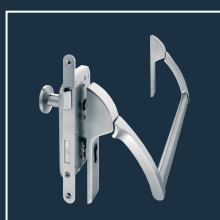
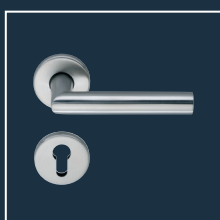
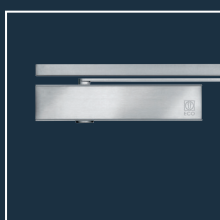
ECO **Newton** TS-51



Product information



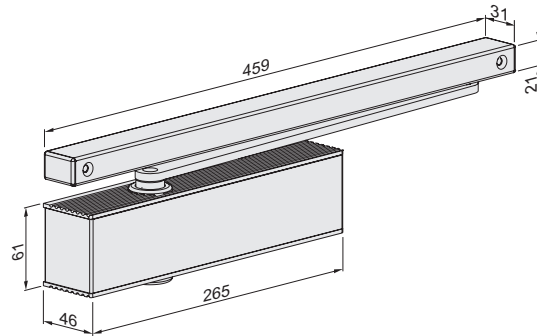
■ SYSTEM TECHNOLOGY FOR THE DOOR



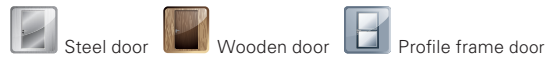
Product characteristics

Closing force (continuously adjustable)	Size acc. to EN	1 - 4
Door width	acc. to EN ≤ 1.100 mm	■
Dimensions (incl. mounting plate)	Length in mm	265
	Depth in mm	46
	Height in mm	61
Mounting plate acc. to EN 1154 A (supplementary sheet 1)		■
Hinge side and hinge-opposite side		□
DIN left / right		■
Latching Speed (continuously adjustable)		■
Closing speed (continuously adjustable)		■
Back-check (continuously adjustable)		■
Tested acc. to EN	EN 1154 A	
Suitable for fire- and smoke control doors	F	
Certified according to EU-Directive	CE	

- Yes
- No
- Option



Dimensions: TS-51

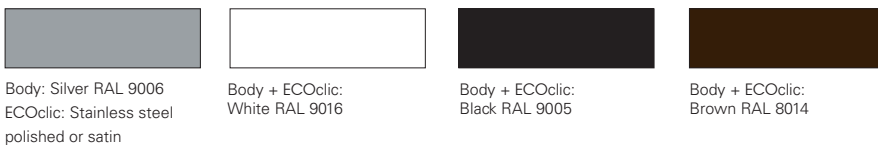


ECO Newton TS-51 ■ Order information

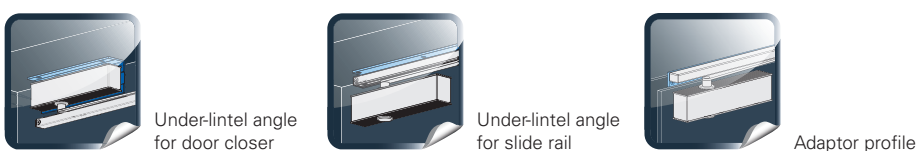


*optional

Details regarding the ECO Newton Highlights can be found in the intro of this chapter.



Slide rail and arm are always delivered in the same colour as the ordered door closer body.



Order information

ECO Newton TS-51 ■ Door closer with slide rail

Product information

Closing force 1 – 4, tested acc. to **EN 1154 A** (for door widths up to 1.100 mm) continuously adjustable. Latching speed, closing speed and back-check continuously adjustable. Same version DIN left and DIN right. Mounting height with mounting plate only 46 mm. Door opening angle: 180°

- ECOunity: The ECO Newton closer portfolio covers all door dimensions with only two basic closer units.
- ECOphysis: Door closer and slide rail build a unit in aluminium and stainless steel
- ECOcllic: The stainless steel cover encloses the aluminium body with the power of spring steel and conceals all of the adjusting elements, thus securing the closer against unauthorized access.
- ECOmount: Mounting plate according to **EN 1154** is completely covered by the door closer
- ECOvalve: Simple, high-precision and permanently secure adjustment of all parameters of the closing process with one conventional allen key.
- ECOcover²: Optional stainless steel cover for the ECO Newton door closers and related slide rails. Please order the lever arm in stainless steel look for the perfect overall appearance.
- ECOline: The mounted slide rail and door closer are flush when the door is closed. The colours of all materials are perfectly matched - right down to the end caps of the slide rail.
- ECOvario: perwirths the use of all slide rail door closers and can even be combined with different door leaf widths. In this way, optimum value for money can be achieved for each individual door situation.

New packaging:

Set incl. door closer, slide rail B, arm for slide rail B, mounting plate, mounting instructions, paper template and fixing material.

Article numbers

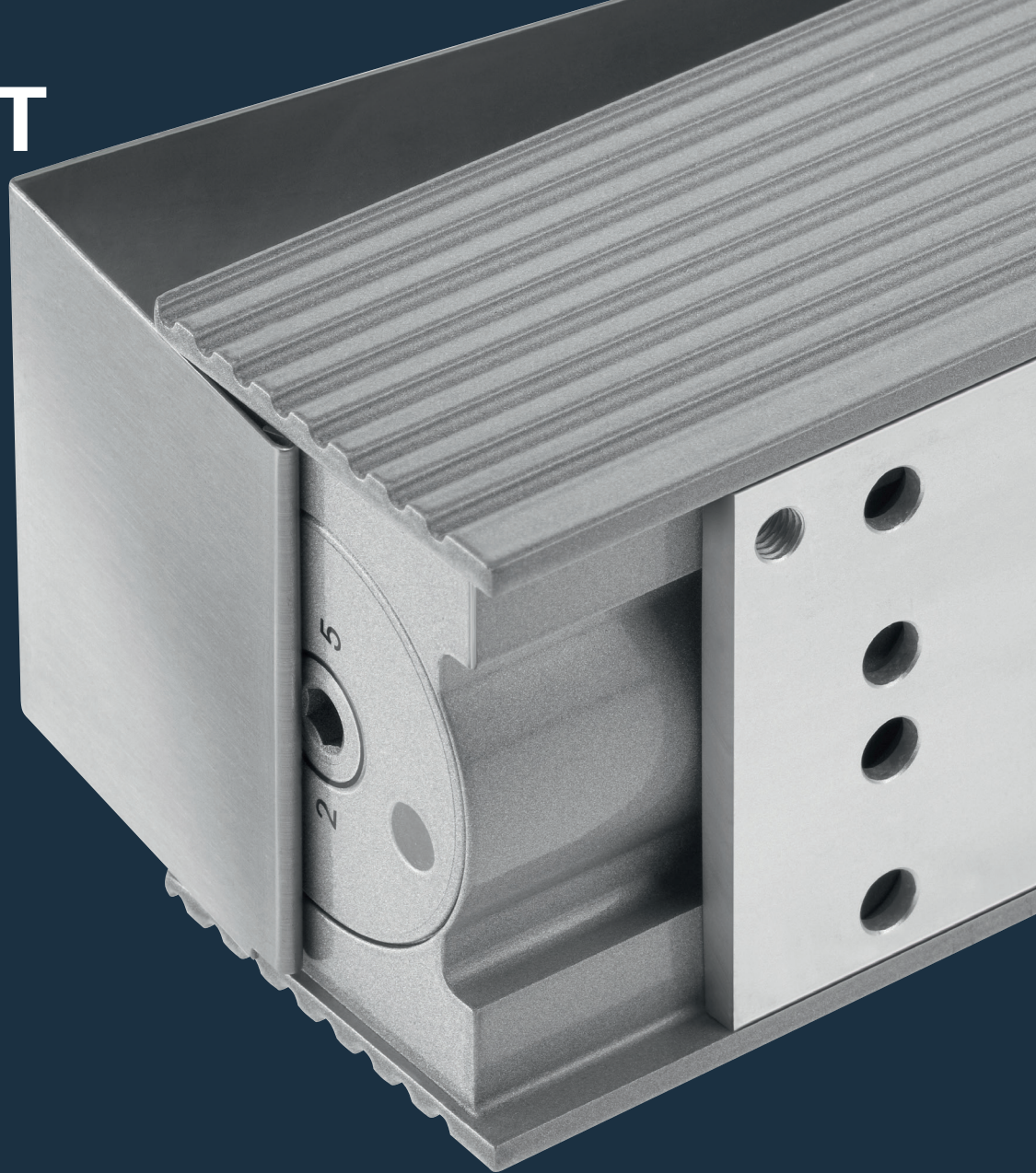


Hinge side slide rail B	Colour	Article number	Hinge side without slide rail	Colour	Article number
TS-51 B (1 – 4)	Silver RAL 9006*	305153EA1A01010	TS-51 B (1 – 4)	Silver RAL 9006*	355153EA1A00010
TS-51 B (1 – 4)	White RAL 9016	305153EA3E01010	TS-51 B (1 – 4)	White RAL 9016	355153EA3E00010
TS-51 B (1 – 4)	Brown RAL 8014	305153EA3D01010	TS-51 B (1 – 4)	Brown RAL 8014	355153EA3D00010
TS-51 B (1 – 4)	Black RAL 9005	305153EA3G01010	TS-51 B (1 – 4)	Black RAL 9005	355153EA3G00010

Hinge-opposite side slide rail B	Colour	Article number	Hinge side without slide rail B	Colour	Article number
TS-51 G (1 – 4)	Silver RAL 9006*	305163EA1A01010	TS-51 G (1 – 4)	Silver RAL 9006*	355163EA1A00010
TS-51 G (1 – 4)	White RAL 9016	305163EA3E01010	TS-51 G (1 – 4)	White RAL 9016	355163EA3E00010
TS-51 G (1 – 4)	Brown RAL 8014	305163EA3D01010	TS-51 G (1 – 4)	Brown RAL 8014	355163EA3D00010
TS-51 G (1 – 4)	Black RAL 9005	305163EA3G01010	TS-51 G (1 – 4)	Black RAL 9005	355163EA3G00010

*Door closer body in silver RAL 9006, ECOcllic stainless steel satin or polished as option

ECO MOUNT



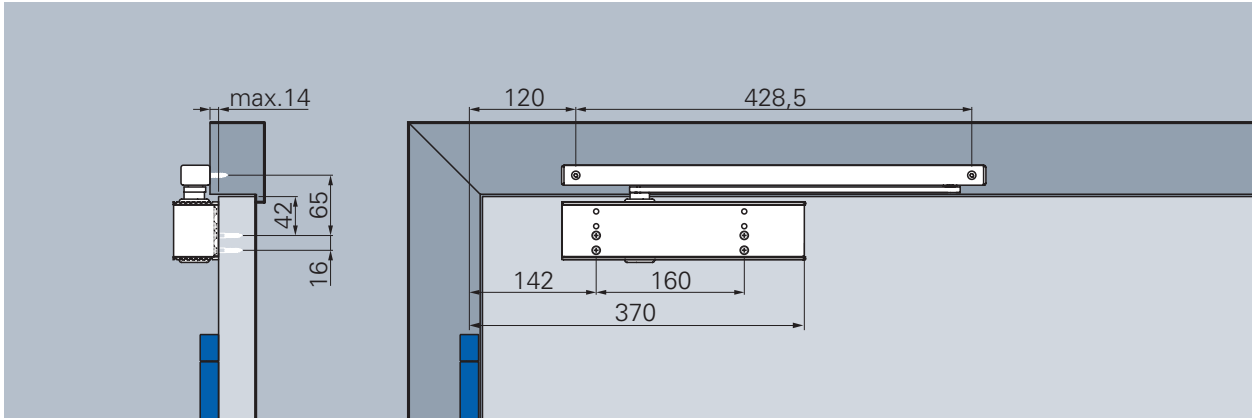
ECO Newton Highlights in detail.

Well-conceived assembly system

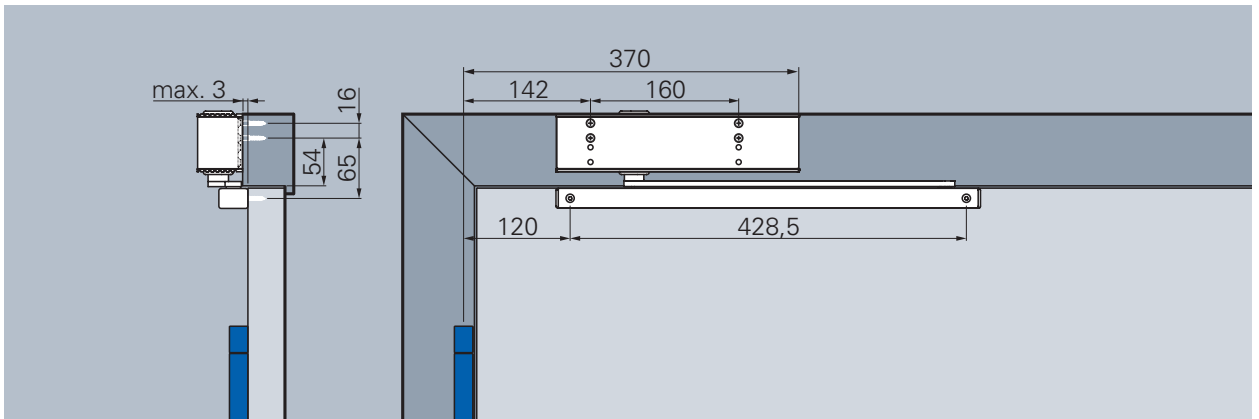
The special feature of the ECO Newton assembly system is that the mounting plate is completely concealed by the aluminium body of the closer, thus making it invisible. The mounting plate has standardized drill holes which guarantee time-saving, secure and simple attachment.

Hinge side

Mounting with slide rail B, illustration DIN left door, DIN right laterally reversed



Standard mounting TS-51 with slide rail B, hinge side



Head mounting TS-51 G with slide rail B, hinge side

Closing speed

Continuously adjustable closing speed from approx. 180° to 0°

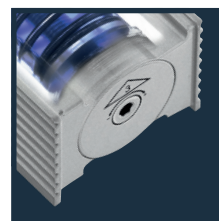
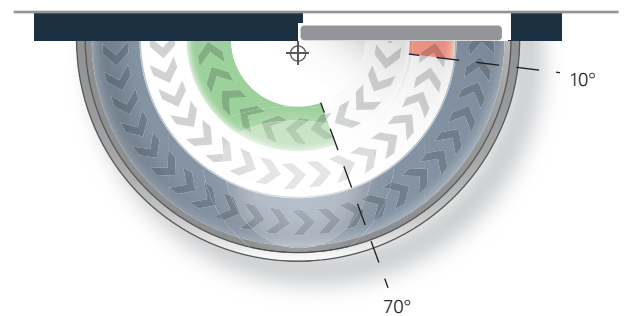
Latching speed

Increases the closing speed and thus the safe closing of the door, for example to overcome door seals, door locks and high air pressure. Continuously adjustable, works between 10 to 0°

Back-check

Reduces the opening speed starting at 70° and avoids the slamming of the door. Back-check continuously adjustable

Closing force diagram ECO Newton TS-51, hinge side



Closing force:

Continuously adjustable min. size 1
max. size 4

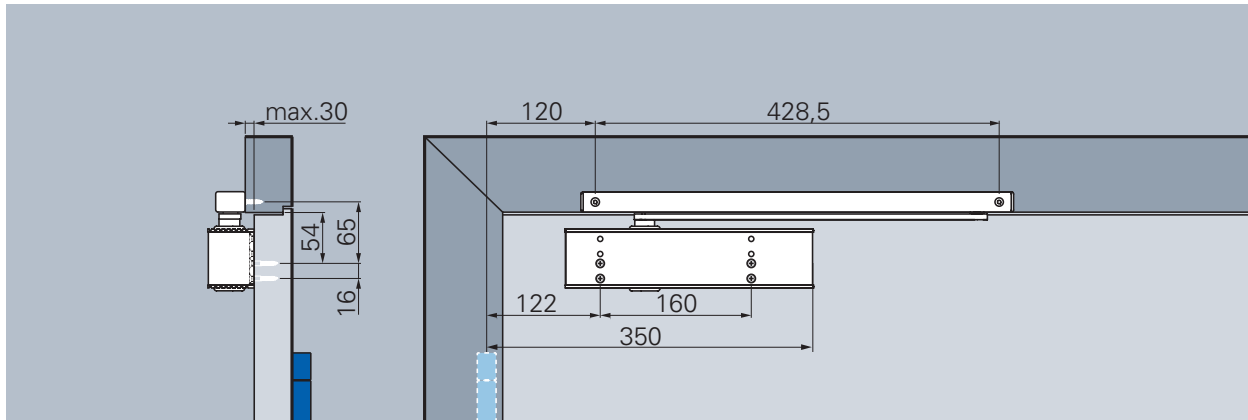
Default delivery condition: size 3

Back-check out of order for head mounting.

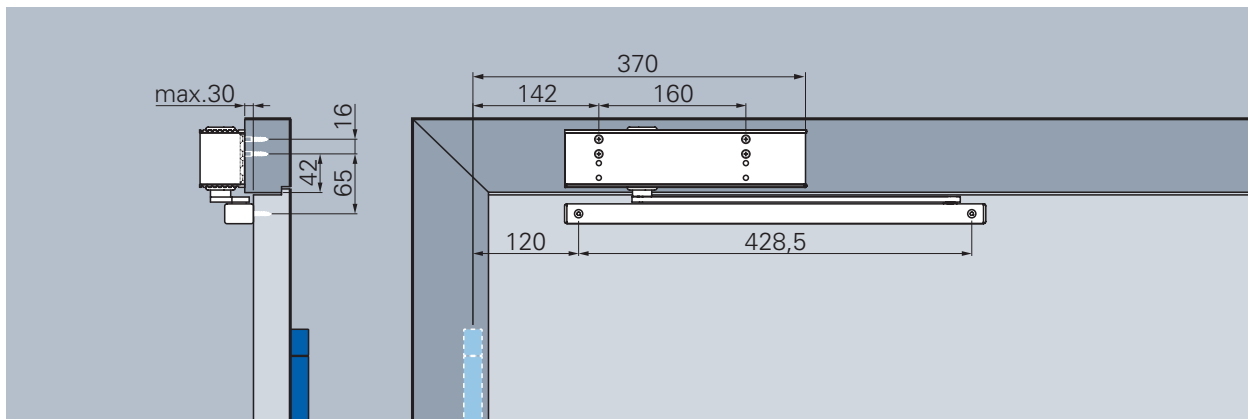


Hinge-opposite side

Mouting with slide rail B, illustration DIN right door, DIN right laterally reversed



Standard mounting TS-51 G with slide rail B, hinge-opposite side



Head mounting TS 51 with slide rail B, hinge-opposite side

Closing speed

Continuously adjustable closing speed from approx. 140°* to 0°

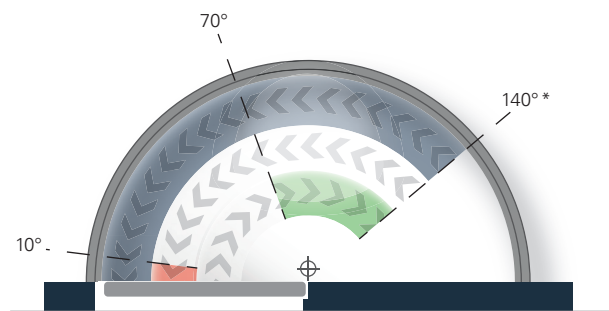
Latching speed

Increases the closing speed and thus the safe closing of the door, for example to overcome door seals, door locks and high air pressure. Continuously adjustable, works between 10 to 0°

Back-check

Reduces the opening speed starting at 70° and avoids the slamming of the door. Back-check continuously adjustable

Closing force diagram ECO Newton TS-51, hinge-opposite side



Note!:

Back-check out of order for head-mounting / mounting on hinge-opposite side

*Varies according to door thickness and type of hinge

A door stopper for opening limit is a must!



ECO Schulte GmbH & Co. KG
Iserlohner Landstraße 89
D - 58706 Menden

Telefon: +49 2373/9276-0
Fax: +49 2373/9276-40

info@eco-schulte.de
www.eco-schulte.de

© ECO Schulte GmbH & Co. KG - Änderungen vorbehalten
© ECO Schulte GmbH & Co. KG - Subject to change